

**TRAMONTINA**

**BRASIL PLUS**



# TRASH BIN BRASIL PLUS

Ref.: 94538/530

TRAMONTINA



## AISI 430 STAINLESS STEEL

## SCOTCH BRITE FINISHING

## THICKNESS

— 0,4 mm

## CAPACITY

— 30 L

## RECOMMENDED GARBAGE BAG

— 50 - 60 L

## STAINLESS STEEL PEDAL

## STAY-OPEN LID

— due to the new activating system, which means you need to open with your hand, until it is fully open

— to close, just press the pedal or move the lid by hand

## METALLIC HANDLE

— assists in the transport

## INNER PLASTIC BUCKET

— removable with ergonomic handle and hole that makes it possible to hold the garbage bag

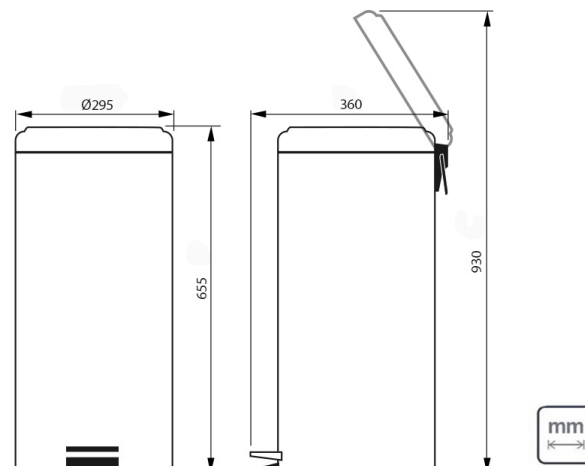
## SUCTION CUP ON THE BASE

— prevents trash bin from moving when the pedal is pressed

## SOFT CLOSE



**STAY-OPEN LID**  
without keeping the  
pedal pressed.



Producto para uso interno | Archivos BIM disponibles en: [tramontina.com/biblioteca](http://tramontina.com/biblioteca)

