

TRAMONTINA

ALPHA 2C 34 R



INSET SINKS

ALPHA 2C 34 R

TRAMONTINA



Ref.: 93880/602
 93880/601
 93880/603
 93880/641
 93880/605
 93881/615
 93882/615



AISI 304 STAINLESS STEEL

FINISHING

– Pre-polished

THICKNESS

– 0,6 mm

DEPTH OF BOWL

– 152 mm

CAPACITY

– 15,5 + 15,5 L





INSET SINK INSTALLATION

– Inset ink

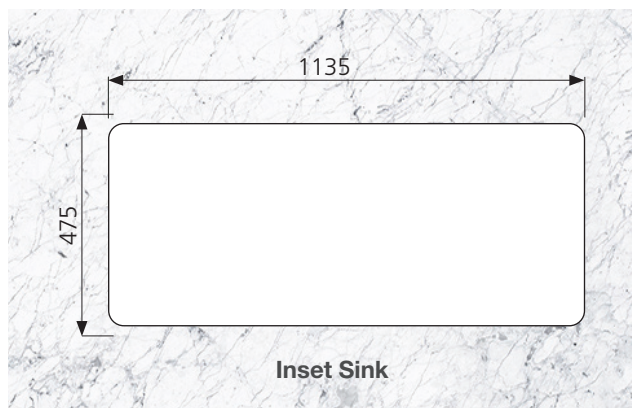


Template available on the product page at: tramontina.com.br/en

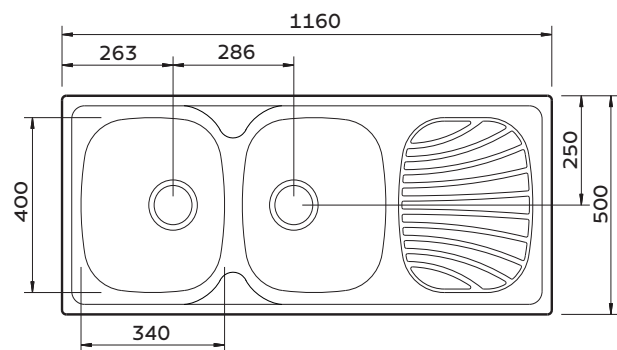
Included accessories

	 Valve Ø 4 1/2" 94510/027	 Valve Ø 3" 94510/000	 Valve with overflow Ø 3" 94510/001	 Valve with overflow Ø 4 1/2" 94510/028
Ref.:				
93880/602	✓ ✓	–	–	–
93880/601	–	✓	✓	–
93880/603	✓	–	–	✓
93880/641	–	✓	✓	–
93880/605	Accessories not included, valve hole of Ø4 1/2			
93881/615	Accessories not included, valve hole of Ø4 1/2			
93882/615	Accessories not included, valve hole of Ø4 1/2			

Cutting size for installation



Inset Sink



*Only share this material with individuals if you have evidence of consent.

Product for indoor use | BIM files available at: tramontina.com.br/en/library

Tramontina reserves the right to modify the product information sheet without prior notice. All images are merely illustrative.

For more information: tramontina.com.br/en