

# SHOWERS

TRAMONTINA

## Senseday - Electrical 3 Temperatures



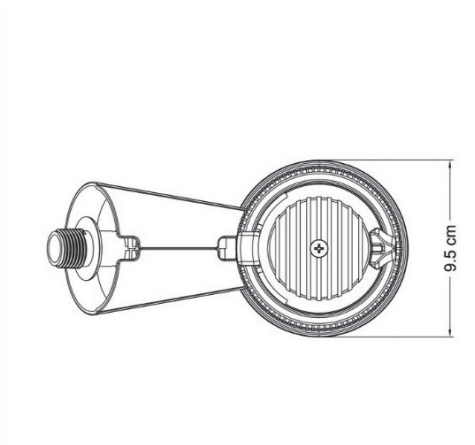
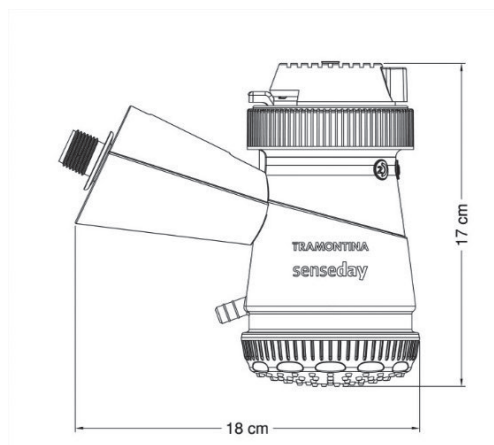
### TECHNICAL DESCRIPTIONS

Rated Voltage	127 Vac	220 Vac
Rated Power (4400W)	2850W 4400W	2850W 4400W
Circuit Breaker	40A	25A
Minimum Wiring	6mm <sup>2</sup>	4mm <sup>2</sup>
Minimum Consumption	11,2 kW.h/month	11,8 kW.h/month
Temperature Elevation	10°C	10°C
Flow	3,3L/min	3,5L/min
Maximum Consumption	18,4 kW.h/month	18,2 kW.h/month
Temperature Elevation	20,8°C	18,2°C
Flow	3L/min	3L/min
Maximum distance from shower to circuit breaker	20m (*)	40m (*)
Working Pressure	minimum	10 kPa [1 m.c.a]
	maximum	400 kPa [40 m.c.a]
Hydraulic Connection (inlet)	1/2" BSP Thread	
Ingress Protection Rating	IP24	
Maximum inlet water temperature	50°C	
Raw Material	Insulating metal and plastic materials	
(*) For distances greater than those indicated, use conductors with a larger section		
Compatible with DR device		
The resistivity of the water supplied for this product must not be less than 1300 Ω.cm		
Device in accordance with the standardization norm for electric showers ABNT_NBR 12483		
At a temperature of 22 °C		

## TECHNICAL DESCRIPTIONS

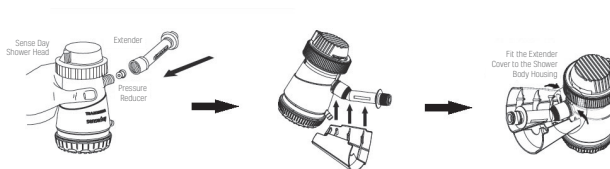
Rated Voltage		127 Vac	220 Vac
Rated Power (5500 W)	1	3200W	3200W
	2	5500W	5500W
Circuit Breaker		50A	32A
Minimum Wiring		10mm <sup>2</sup>	4mm <sup>2</sup>
Minimum Consumption		11,5 kW.h/month	11,9 kW.h/month
Temperature Elevation		10°C	10°C
Flow		3,3L/min	3,8L/min
Maximum Consumption		19,4 kW.h/month	21,1 kW.h/month
Temperature Elevation		22,3°C	22°C
Flow		3L/min	3L/min
Maximum distance from shower to circuit breaker		27m (*)	32m (*)
Working Pressure		minimum	10 kPa (1 m.c.a)
		maximum	400 kPa (40 m.c.a)
Hydraulic Connection (inlet)		1/2" BSP Thread	
Ingress Protection Rating		IP24	
Maximum inlet water temperature		50°C	
Raw Material		Insulating metal and plastic materials	
(*) For distances greater than those indicated, use conductors with a larger section			
Compatible with DR device			
The resistivity of the water supplied for this product must not be less than 1300 Ω.cm			
Device in accordance with the standardization norm for electric showers ABNT_NBR 12483			
At a temperature of 22 °C			

## DIMENSIONS

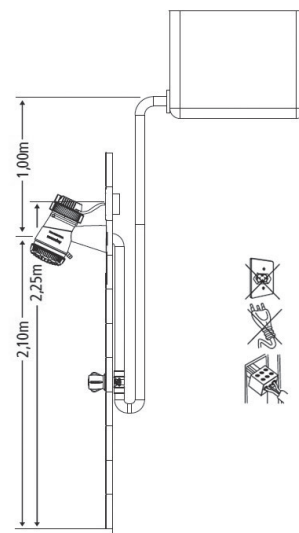


## GENERAL INFORMATION

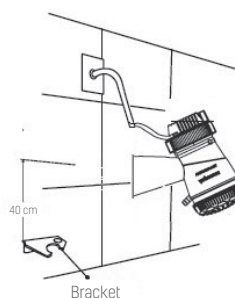
- Easy heating element exchange that has only one mounting position (Poka Yoke system) and does not require the use of tools.
- The shower head comes with an extension arm with a cap and a pressure reducer that must be used for pressures above 8 m.c.a.



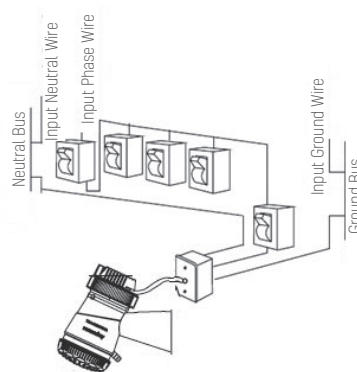
- The temperature change must be done with the water valve closed to avoid possible electric shocks and to ensure the product's useful life.
- The recommended height for hydraulic installation is 2,10 m above the floor.
- The recommended height of the water tank for the device to work properly is 1 m above the water outlet point.
- It is recommended that the height of the shower wires connection box be at least 15 cm above the water outlet point and the connection should preferably be made with appropriate connectors (porcelain).
- Longer service life due to size of contacts. Because they are bigger, they wear out more slowly.



- For accessible and easy use, the hand shower holder should be installed approximately 40 cm below the device.



- The shower head must be installed in an exclusive electrical circuit coming directly from the power distribution board and using conductors and circuit breakers of suitable capacity. The neutral and ground wires must be connected directly to their respective busbars in the distribution board, without any shunts in this path.



- The heating element and the device have a legal warranty of 3 months.
- Tramontina, in addition to the device 3 months of legal warranty, extends this period to 9 months, totaling 1 year of warranty against any manufacturing defects counted from the invoice date. It is essential to present the invoice.
- The device must be installed by qualified personnel.