

# SHOWERS

TRAMONTINA

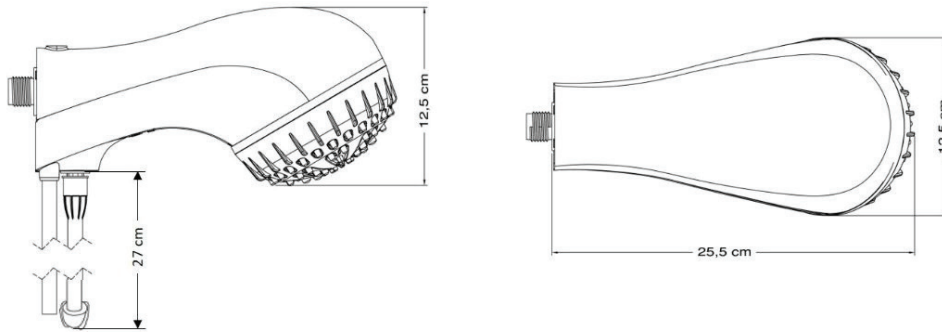
## Sensetop - Electronic



### TECHNICAL DESCRIPTIONS

Rated Voltage	127 Vac	220 Vac
Rated Power	5500W	6500W
Circuit Breaker	50A	32A
Minimum Wiring	10mm <sup>2</sup>	4mm <sup>2</sup>
Minimum Consumption	9 kW.h/month	8,9 kW.h/month
Temperature Elevation	10°C	10°C
Flow	3L/min	3L/min
Maximum Consumption	24 kW.h/month	28,7 kW.h/month
Temperature Elevation	25,7°C	31°C
Flow	3L/min	3L/min
Maximum distance from shower to circuit breaker	27m (*)	27m (*)
Working Pressure	minimum	10 kPa [1 m.c.a]
Working Pressure	maximum	400 kPa [40 m.c.a]
Hydraulic Connection (inlet)	1/2" BSP Thread	
Ingress Protection Rating	IP24	
Maximum inlet water temperature	50°C	
Raw Material	Insulating metal and plastic materials	
(*) For distances greater than those indicated, use conductors with a larger section		
Compatible with DR device		
The water resistivity supplied for this product must not be less than 1300 Ω.cm		
Device in accordance with the standardization norm for electric showers ABNT_NBR 12483		

## DIMENSIONS

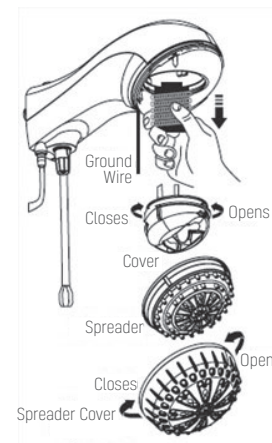


## GENERAL INFORMATION

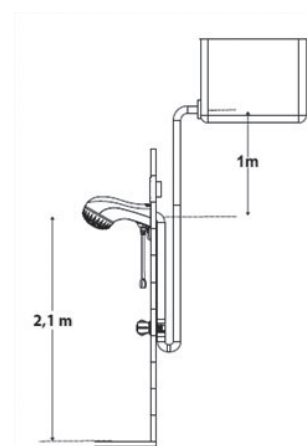
- Faster initial water heating due to the reduced size of the heating chamber.
- Automatic safety lock for changing the shower resistor.



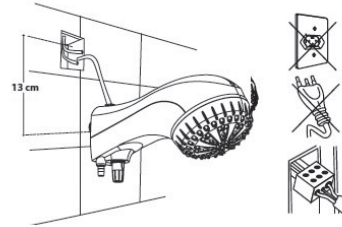
- Magic diverter that can direct the water only for the shower head or only for the hand shower (no restriction when raising the hand shower).
- Easy cleaning of the spreader which is rubber and removable.
- Easy heating element exchange that has only one mounting position and does not require the use of tools.



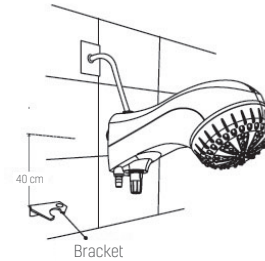
- Automatic pressure reducer that acts when necessary, mainly helping installations where there are large pressure variations throughout the day. The reducer will start operating whenever the pressure exceeds 8 m.c.a.
- Independent Nipple makes shower installation easy.
- Temperature can be changed with the valve open or closed.
- The recommended height for the hydraulic installation outlet point is 2,10 m above the floor.
- The recommended height of the water tank for the device to work properly is at least 1 m above the water outlet point.



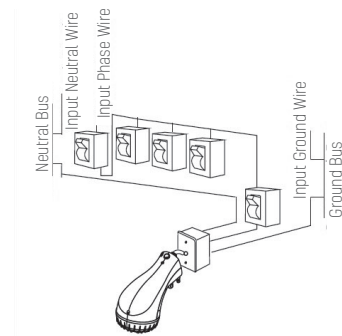
- The height of the shower wires connection box is at least 15 cm above the water outlet point and the connection must be made with appropriate connectors (preferably porcelain).



- For accessible and easy use, the shower stand should be installed approximately 40 cm below the device.



- The shower head must be installed in an exclusive electrical circuit coming directly from the power distribution board and using conductors and circuit breakers of suitable capacity. The neutral and ground wires must be connected directly to their respective busbars in the distribution board, without any shunts in this path.



- Tramontina - in addition to the device 3 months of legal warranty - extends this period for another 9 months, totaling 1 year of warranty against any manufacturing defects counted from the invoice date. It is essential to present the invoice.
- The heating element has a legal warranty of 3 months.
- The device must be installed by qualified personnel.